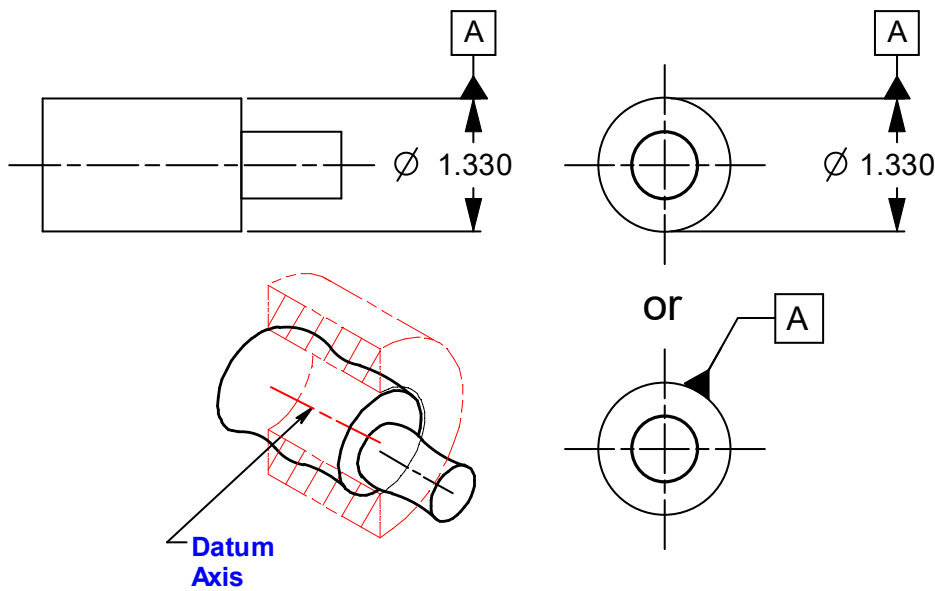


September 1999 Tip-of-the-Month

Watch where you put that triangle!

Placement of the new datum feature symbol (triangle) can be critical. In the first three views below the datum feature symbol is associated with the size dimension of a feature of size. They indicate that a datum axis should be established using the feature indicated.



In the view below, the datum may be interpreted as a line lying in a plane tangent to the feature indicated. If line contact is desired a datum target line should be indicated.

